

Engine powered forklift 2.0 - 2.5 ton

TOYOTA
TONERO^{HST}



Engine powered forklift 2.0 - 2.5 ton

Truck specifications					06-8FD20F	06-8FD25F
Identification	1.1	Manufacturer			TOYOTA	TOYOTA
	1.2	Model			06-8FD20F	06-8FD25F
	1.3	Drive			Diesel	Diesel
	1.4	Operator type			Rider seated	Rider seated
	1.5	Load capacity/rated load	Q	kg	2000	2500
	1.6	Load centre	c	mm	500	500
	1.8	Load distance, centre of drive axle to fork	x	mm	470	470
	1.9	Wheelbase	y	mm	1650	1650
	Weight	2.1	Service weight		kg	3290
2.2		Axle load, with load, front/rear		kg	4600/690	5300/800
2.3		Axle load, without load, front/rear		kg	1430/1860	1320/2280
Tyres	3.1	Tyre - pneumatic (P), pneumatic shaped cushion (SE), solid rubber (R)			SE	SE
	3.2	Tyre size, front			7.00-12	7.00-12
	3.3	Tyre size, rear			6.00-9	6.00-9
	3.5	Wheels, number front/rear (x=driven wheels)			2x/2	2x/2
	3.6	Track width, front	b ₁₀	mm	960	960
	3.7	Track width, rear	b ₁₁	mm	965	965
	Dimensions	4.1	Tilt of mast/fork carriage forward/backward	α/β	deg	6/11
4.2		Height, mast lowered	h ₁	mm	1995	1995
4.3		Free lift	h ₂	mm	150	150
4.4		Lift	h ₃	mm	2960	2960
		Lift height	h ₂₃	mm	3000	3000
4.5		Height, mast extended	h ₄	mm	4250	4250
4.7		Height of overhead guard (cab)	h ₆	mm	2110	2110
4.8		Seat height	h ₇	mm	1050	1050
4.12		Coupling height	h ₁₀	mm	315	315
4.19		Overall length	l ₁	mm	3575	3640
4.20		Length to face of forks	l ₂	mm	2575	2640
4.21		Overall width	b ₁	mm	1150	1150
4.22		Fork dimensions	s/e/l	mm	40/100/1000	40/100/1000
4.23		Fork carriage DIN 15 173, class/type A, B			IIA	IIA
4.24		Fork-carriage width	b ₃	mm	1020	1020
4.31		Ground clearance, with load, below mast	m ₁	mm	90	90
4.32		Ground clearance, centre of wheelbase	m ₂	mm	135	135
4.33		Aisle width for pallets 1000 x 1200 crossways	A _{st}	mm	3870	3950
4.34		Aisle width for pallets 800 x 1200 lengthways	A _{st}	mm	4070	4150
4.35		Turning radius	W _a	mm	2200	2280
4.36	Internal turning radius	b ₁₃	mm	745	745	
Performance data	5.1	Travel speed, with/without load		km/h	19,0/19,0	19,0/19,0
	5.2	Lift speed, with/without load		m/s	0,56/0,60	0,56/0,60
	5.3	Lowering speed, with/without load		m/s	0,50/0,50	0,50/0,50
	5.6	Max. drawbar pull, with/without load		N	17500/7800	17500/9100
	5.7	Gradeability, with load ¹⁾²⁾		%	24	20
	5.8	Max. gradeability, with/without load ²⁾		%	32/20	27/22
	5.10	Service brake			Hydraulic	Hydraulic
Combustion engine	7.1	Engine manufacturer/type			TOYOTA 1DZ-III	TOYOTA 1DZ-III
	7.2	Engine power acc. to ISO 1585		kW	36	36
	7.3	Rated speed		1/min	2500	2500
	7.4	No. of cylinders/displacement		cm ³	4/2486	4/2486
	7.5	Fuel consumption according to VDI 60		l/h	3,2	3,6
Others	8.2	Operating pressure for attachments		bar	147	147
	8.3	Oil volume for attachments		l/min	65-77	65-77
	8.4	Sound level at the driver's ear according to EN 12 053		dB(A)		

¹⁾ At 1,5 km/h.

²⁾ Computed values.

Performance data and dimensions are nominal and subject to tolerances.

Specifications are subject to change without notice.

Please obtain the latest specifications before contracting products.

Master dimensions and rated capacities

Model			V								FV					FSV					
8FD20F	Lift height	h_{23}	3000	3300	3500	3700	4000	4500	5000	5500	3000	3300	3500	3700	4000	4300	4700	5000	5500	6000	6500
	Lift	h_3	2960	3260	3460	3660	3960	4460	4960	5460	2960	3260	3460	3660	3960	4260	4660	4960	5460	5960	6460
	Height, mast lowered	h_1	1995	2145	2245	2405	2595	2845	3095	3345	1995	2145	2245	2405	2595	1995	2145	2245	2405	2595	2845
	Height, mast extended ¹⁾	h_4	3700	4000	4200	4400	4700	5200	5700	6200	3625	3925	4125	4325	4625	4900	5300	5600	6100	6600	7100
	Height, mast extended ²⁾	h_4	4250	4550	4750	4950	5250	5750	6250	6750	4240	4540	4740	4940	5240	5540	5940	6240	6740	7240	7740
	Free lift, without load backrest	h_2	150	150	150	150	150	150	150	150	1400 [1220]	1550 [1370]	1650 [1470]	1810 [1630]	2000 [1820]	1425	1575	1675	1835	2025	2275
	Free lift, with load backrest	h_2	150	150	150	150	150	150	150	150	785	935	1035	1195	1385	785	935	1035	1195	1385	1635
8FD25F	Lift height	h_{23}	3000	3300	3500	3700	4000	4500	5000	5500	3000	3300	3500	3700	4000	4300	4700	5000	5500	6000	6500
	Lift	h_3	2960	3260	3460	3660	3960	4460	4960	5460	2960	3260	3460	3660	3960	4260	4660	4960	5460	5960	6460
	Height, mast lowered	h_1	1995	2145	2245	2405	2595	2845	3095	3345	1995	2145	2245	2405	2595	1995	2145	2245	2405	2595	2845
	Height, mast extended ¹⁾	h_4	3700	4000	4200	4400	4700	5200	5700	6200	3625	3925	4125	4325	4625	4900	5300	5600	6100	6600	7100
	Height, mast extended ²⁾	h_4	4250	4550	4750	4950	5250	5750	6250	6750	4240	4540	4740	4940	5240	5540	5940	6240	6740	7240	7740
	Free lift, without load backrest	h_2	150	150	150	150	150	150	150	150	1400 [1220]	1550 [1370]	1650 [1470]	1810 [1630]	2000 [1820]	1425	1575	1675	1835	2025	2275
	Free lift, with load backrest	h_2	150	150	150	150	150	150	150	150	785	935	1035	1195	1385	785	935	1035	1195	1385	1635

1) Without load backrest.

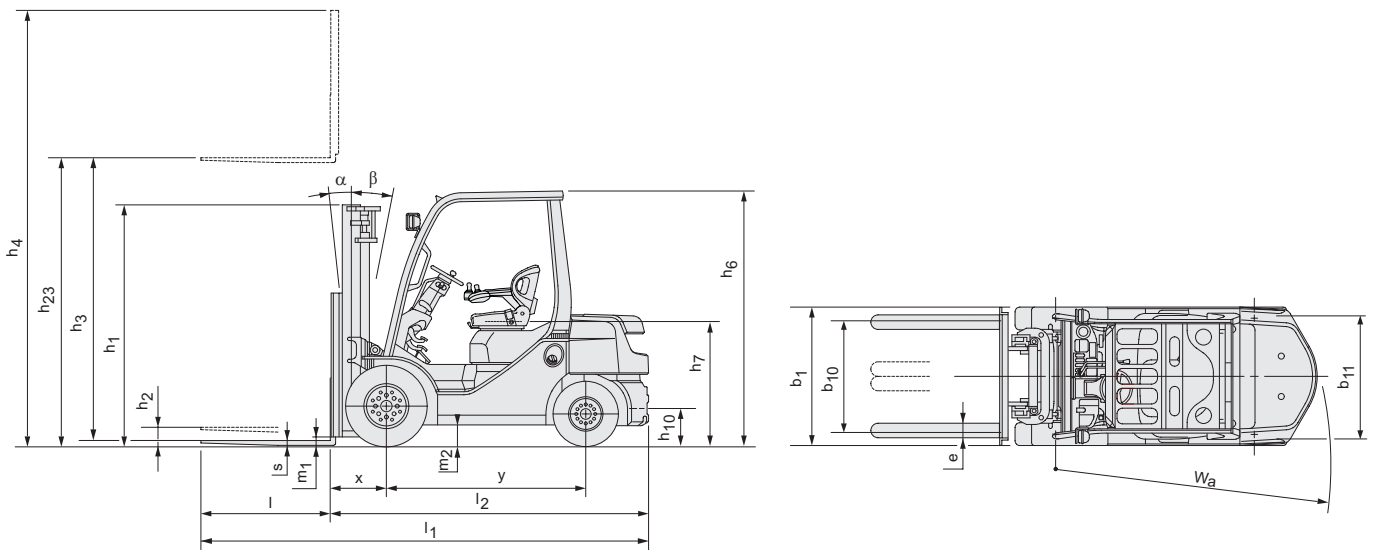
2) With load backrest; Height of standard load backrest is 1220 mm.

Data in [] are for when "A4 piping" is selected.

Single tyre			V								FV					FSV					
8FD20F	Tilt range, forward	deg	6	6	6	6	6	6	6	—	6	6	6	6	6	6	6	6	6	6	6
	Tilt range, backward	deg	11(6)	11(6)	11(6)	11(6)	11(6)	6	6	—	11(6)	11(6)	11(6)	11(6)	11(6)	6	6	6	6	6	6
	Load capacity, P tyres at 500 mm LC	kg	2000	2000	2000	2000	2000	1950	1850	—	2000	2000	2000	2000	2000	1900	1850	1450	1200	850	650
	Load capacity, SE tyres at 500 mm LC	kg	2000	2000	2000	2000	2000	1950	1900	—	2000	2000	2000	2000	2000	1900	1850	1600	1350	1000	750
8FD25F	Tilt range, forward	deg	6	6	6	6	6	6	6	—	6	6	6	6	6	6	6	6	6	6	6
	Tilt range, backward	deg	11(6)	11(6)	11(6)	11(6)	9	6	6	—	11(6)	11(6)	11(6)	11(6)	9	6	6	6	6	6	6
	Load capacity, P tyres at 500 mm LC	kg	2500	2500	2500	2500	2500	2150	1700	—	2500	2500	2500	2500	2500	2300	2000	1500	1250	900	650
	Load capacity, SE tyres at 500 mm LC	kg	2500	2500	2500	2500	2500	2300	1850	—	2500	2500	2500	2500	2500	2300	2000	1650	1400	1050	750

Dual tyre			V								FV					FSV					
8FD20F	Tilt range, forward	deg	6	6	6	6	6	6	6	6	6	6	6	6	6	6	6	6	6	6	6
	Tilt range, backward	deg	11(6)	11(6)	11(6)	11(6)	11(6)	11(6)	6	6	11(6)	11(6)	11(6)	11(6)	11(6)	6	6	6	6	6	6
	Load capacity, P/SE tyres 500 mm LC	kg	2000	2000	2000	2000	2000	1950	1900	1800	2000	2000	2000	2000	2000	1950	1900	1850	1800	1600	1550
8FD25F	Tilt range, forward	deg	6	6	6	6	6	6	6	6	6	6	6	6	6	6	6	6	6	6	6
	Tilt range, backward	deg	11(6)	11(6)	11(6)	11(6)	11(6)	11(6)	6	6	11(6)	11(6)	11(6)	11(6)	11(6)	6	6	6	6	6	6
	Load capacity, P/SE tyres at 500 mm LC	kg	2500	2500	2500	2500	2500	2450	2400	2300	2500	2500	2500	2500	2500	2500	2450	2400	2050	1700	1550

Data in () are for when "Cabin Series" is selected (minimum front windshield).



Standard equipments:

- Hydrostatic transmission
- Toyota SAS (System of Active Stability*)
- Toyota OPS (Operator Presence Sensing)
- Toyota ORS seat (Operator Restraint System)
- Wide visible mast (MFH: 3000 mm)
- Load backrest (Height: 1220 mm)
- Long forks (Length: 1000 mm)
- Long forkbar (Length: 1020 mm)
- 3-way valve (A400)
- Dual brake system
- Pneumatic shaped cushion tyres
- Full hydraulic power steering
- 7" cyclone air cleaner with snorkel air intake
- Anti-restart ignition key switch
- Headlights
- Rear combination lights
- Combination meter including self diagnostic system
- Adjustable tilt steering column
- Polycarbonate roof

* = When dual tyres are selected, the Active Control Rear Stabilizer function of the SAS system of Active Stability (SAS) is not included.

